

## Installation Instructions

### INSTRUCTIONS PERTAINING TO A RISK OF FIRE, OR INJURY TO PERSONS.

#### IMPORTANT SAFETY INSTRUCTIONS. SAVE THESE INSTRUCTIONS.

(Failure to follow the warnings and instructions on this sheet could result in fire, injury, failure of product, and/or voiding of warranty.)

- Do not touch fixture while lamp is on. Turn off/unplug and allow to cool before replacing lamp.
- Lamp gets HOT quickly! Contact only switch/plug when turning on.
- Do not touch hot lens, faceplate, brackets or housing.
- Keep lamp away from materials that may burn.
- Do not install fixture in contact with combustible materials.
- Do not touch lamp at any time. Use a soft cloth. Oil from your skin may damage lamp.
- Do not operate with damaged or missing parts.
- Do not disassemble beyond faceplate removal to facilitate lamp and accessory installation/replacement, or as otherwise directed in the installation instructions below.
- Remove any debris or build-up accumulated on the faceplate or lens periodically. Replace lens if necessary. Failure to do so could result in reduction in performance, fixture overheating, or fire.
- Do not install within 10 feet of a pool, spa, or fountain.
- Have installed in accordance with all applicable installation codes and standards by a person familiar with the construction, operation, and hazards involved.
- Consult a qualified electrician to ensure correct branch circuit conductor.
- Use only cable properly rated for the application.
- Failure to follow these instructions can cause fire, injury, and/or void warranty.

#### Unpack:

- Unpack the fixture and all fixture components from their packaging. Note: Wiring components, Pass-thru, and Cover may be shipped inside of Housing.
- Check through all packaging material to make sure there aren't any items hidden in it before discarding.

#### Inspection:

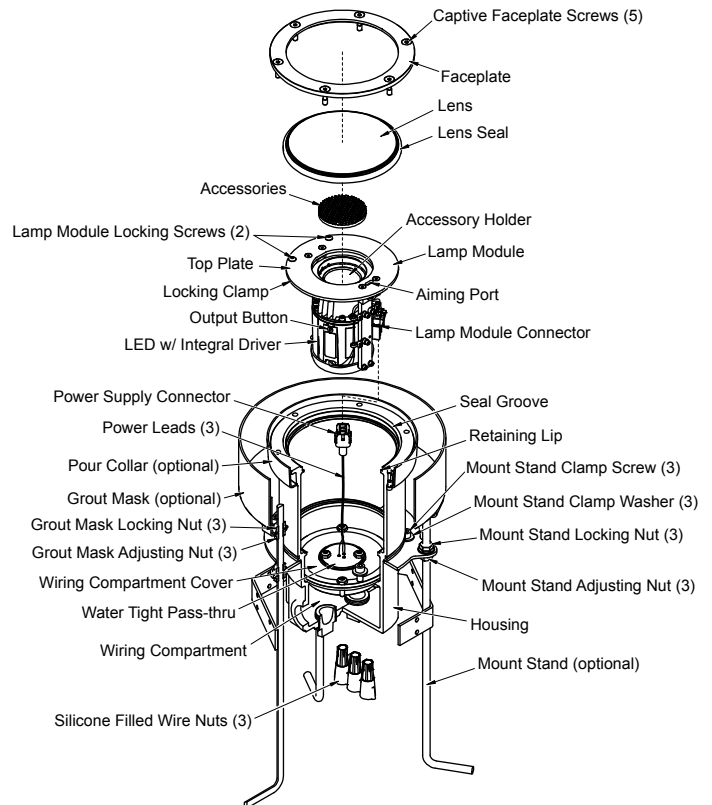
- Inspect all parts for shipping damage, such as: broken lenses, broken lamps, cut or nicked leads, damage to the Pass-thru that could cause leaks, damaged lens seal, etc. If any damage is found, do not install fixture. Contact Vision3 lighting so that damaged items can be repaired or replaced.
- Double check the fixture with the packing list and order to ensure that all options and accessories are accounted for. Contact Vision3 lighting immediately if any discrepancies are found. Note: Wiring components, Pass-thru, and Cover may be shipped inside of Housing.
- Cover and store all parts in a clean, dry, and safe place until it is time for installation. Note: Plastic bags are handy for keeping parts organized and clean during storage.

#### Housing Installation:

##### Landscape Installation

(See Landscape Installation sketches, next page).

- Before beginning Housing installation, examine Housing to ensure that there is no damage, visible defects, or missing parts. Contact Vision3 lighting if any issues are found. Note: Use the dust cover shipped on the Housing to keep dirt out of the Housing during installation.
- Dig a hole approximately 12" dia. by 10" to 15" below grade and trench for conduit.
- Install edging around the hole, as shown in drawing on page 2. Make sure that the top of the edging is about 1" to 2" above grade to allow for ground covering (such as bark, rock, low growing ground cover, etc.). The edging prevents lens overgrowth and creates an edge for trimming, while the elevation helps prevent submersion in water during rain. Once the ground cover is in place or grows high enough, the fixture will appear to be flush.
- Begin filling in the hole with soil in 1" to 2" increments, compacting as you go, until the IG6 Housing can be placed at the bottom of the hole with the top of the Housing 1/4" above the top of the Edging. Note: If the local soil conditions prevent proper drainage, such as with clay, than it is recommended that sand or a loose soil/peat gravel mixture be used to backfill the hole. It may also be required to dig a deeper hole to allow for thorough drainage around fixture.
- Place the IG6 Housing in the bottom of the hole in the desired orientation and to the proper height (top of the Housing 1/4" above the top of the Edging). If you are using the Optional Mount Stand, adjust it per the instructions below. You may also pack fill soil around the base to keep it in the desired position.
- Run Conduit (not supplied) to the IG6 Housing. Note: use conduit and conduit installation methods that adhere to all applicable standards.
- Attach the Conduit to the IG6 Housing using an appropriate connector. Make



sure the Conduit connection to the IG6 Housing is water-tight to keep water out of the Wiring Compartment. Note: The IG6 Housing has four 3/4" NPT entries for this purpose, two side entry and two bottom entry.

- Make sure that all unused conduit entries are plugged with the 3/4" NPT pipe plugs supplied. Use pipe dope (not supplied) on the plug and fully thread in to Housing to ensure that it is water tight.
- Check the alignment and height of the IG6 Housing. Re-adjust if necessary.
- Fill in the conduit trenches.
- Continue filling around the IG6 Housing, compacting as you go, until the bottom 2/3 of the Housing is covered.
- Fill the remaining area in the hole with rock/gravel, up to within 1/4" of the top of the IG6 Housing. It is recommended that landscape "weed block" material be used between the Soil/Sand Fill and the Rock Fill to prevent growth of weeds and mixing of materials. Make sure the "weed block" does not touch the IG6 Housing.
- Install desired Ground Cover up to Edging.

## Installation Instructions

**INSTRUCTIONS PERTAINING TO A RISK OF FIRE, OR INJURY TO PERSONS.**

**IMPORTANT SAFETY INSTRUCTIONS. SAVE THESE INSTRUCTIONS.**

(Failure to follow the warnings and instructions on this sheet could result in fire, injury, failure of product, and/or voiding of warranty.)

### Alternate Landscape Installation Using Optional Grout Mask:

Landscape installation using the Optional Grout Mask is basically the same as the landscape installation explained above, except the Grout Mask is used in place of the Edging. Make the following alterations to the landscape installation described above:

1. Install the IG6 Housing as explained above, adjusting the Mount Stand (see instructions below) so that the top of the IG6 Housing is at the proper level.
2. Adjust the Grout Mask (see instructions below) so that it is even with, or slightly above the Ground Cover Level and slightly below the top surface of the IG6 Housing (without Faceplate).
3. When backfilling hole, fill hole completely with the Soil or Sand Fill.
4. Fill area around the IG6 Housing and inside of the Grout Mask with rock/gravel.

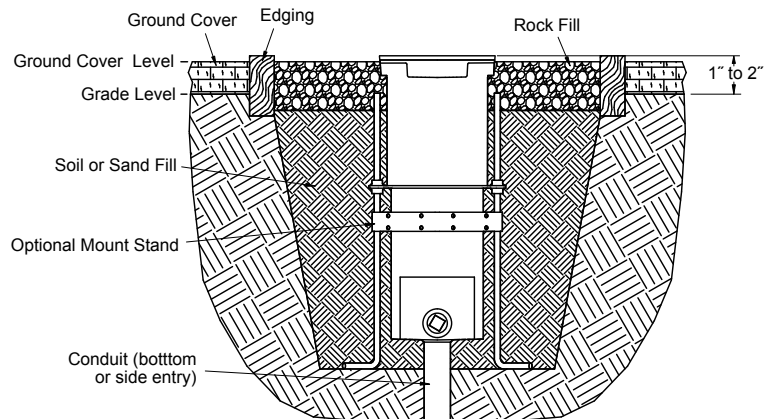
### Ground Mounted Concrete

(See Recommended Ground Mount Concrete Installation sketch).

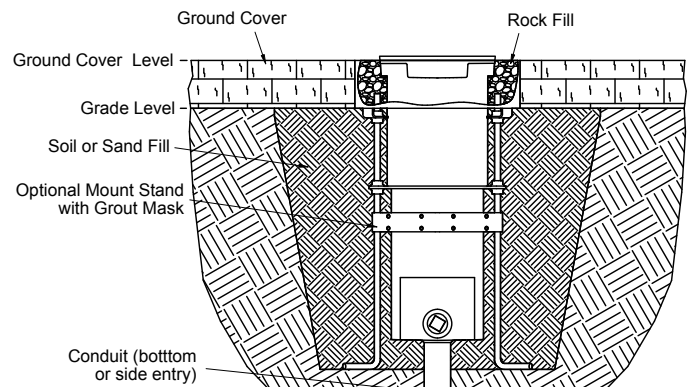
Note: The installation described in this section requires the use of the optional Mount Stand with Grout Mask. If you do not want to use these items, see the description of the alternative concrete installation. Contact Vision3 lighting if you would like to order these mount accessories. For installing housings with the flanged faceplate option, see the 'Flanged Housing Installation Notes' section on the next page.

1. Before beginning Housing installation, examine Housing to ensure that there is no damage, visible defects, or missing parts. Contact Vision3

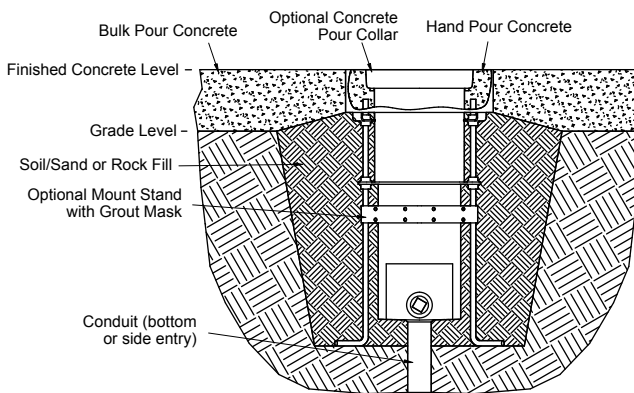
### Recommended Landscape Installation



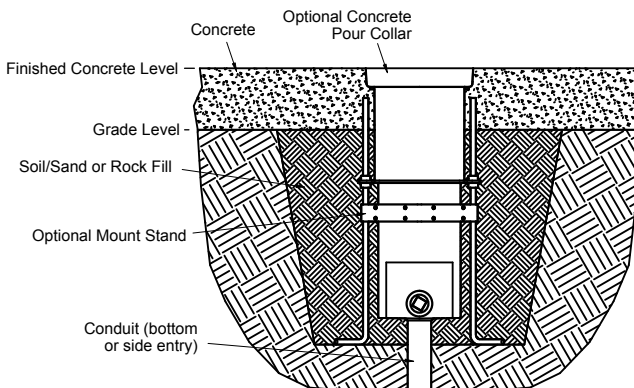
### Alternate Landscape Installation (using Optional Grout Mask)



### Recommended Concrete Installation



### Alternate Concrete Installation (without Optional Grout Mask)



lighting if any issues are found. Note: Only IG6 Housings with the Pour Collar option should be installed in concrete. If your Housing does not have the Pour Collar option, please contact Vision3 lighting. Note: Use the dust cover shipped on the Housing to keep dirt and concrete out of the Housing during installation.

2. Dig a hole approximately 12" dia. by 15" to 18" below grade and trench for conduit.
3. Begin filling in the hole with soil in 1" to 2" increments, compacting as you go, until the IG6 Housing can be placed at the bottom of the hole with enough adjustment in the Mount Stand to make the top of the Pour Collar approximately flush with the proposed Finished Concrete Level. Note: If the local soil conditions prevent proper drainage, such as with clay, than it is recommended that sand or a loose soil/peat gravel mixture be used to backfill the hole. It may also be required to dig a deeper hole to allow for thorough drainage around fixture.
4. Place the IG6 Housing in the bottom of the hole in the desired orientation. Note: The Optional Mount Stand can also be tied to a rebar grid with tie wire using the holes drilled around the perimeter of the stand.
5. Adjust the Grout Mask and Mount Stand (see instructions below) so that the top of the Concrete Pour Collar is slightly above (approximately 1/16") the proposed Finished Concrete Level, and the top of the Grout Mask is flush with the top of the Finished Concrete Level. Note: The IG6 Housing should never be positioned such that it is at a low point where water will

## Installation Instructions

### INSTRUCTIONS PERTAINING TO A RISK OF FIRE, OR INJURY TO PERSONS.

### IMPORTANT SAFETY INSTRUCTIONS. SAVE THESE INSTRUCTIONS.

(Failure to follow the warnings and instructions on this sheet could result in fire, injury, failure of product, and/or voiding of warranty.)

collect around it. Placing the fixture slightly above the concrete level, as explained, will create a slight concrete crown, facilitating better water run off.

6. Run Conduit (not supplied) to the IG6 Housing. Note: use conduit and conduit installation methods that adhere to all applicable standards.
7. Attach the Conduit to the IG6 Housing using an appropriate connector. Make sure the Conduit connection to the IG6 Housing is water-tight to keep water out of the Wiring Compartment. Note: The IG6 Housing has four 3/4" NPT entries for this purpose, two side entry and two bottom entry.
8. Make sure that all unused conduit entries are plugged with the 3/4" NPT pipe plugs supplied. Use pipe dope (not supplied) on the plug and fully thread in to Housing to ensure that it is water tight.
9. Check the alignment and height of the IG6 Housing and Grout Mask. Re-adjust if necessary.
10. Fill in the conduit trenches.
11. Back fill hole with peat gravel around the IG6 Housing.
12. Bulk pour concrete around the Grout Mask up to the top surface of the Grout Mask. Do not allow any concrete to enter the IG6 Housing. Reinforcing rods must be used in the concrete around the fixture to prevent cracking of the concrete from the heat of the fixture.
13. After the bulk pour concrete has set, hand pour concrete in the area between the Grout Mask and the IG6 Housing. With the Housing slightly higher than the Grout Mask, slope the concrete away from the fixture to aid in water run off.

#### Alternate Concrete Installation Without Optional Grout Mask:

Concrete installation without the Optional Grout Mask is basically the same as the concrete installation explained above, except the concrete is poured in one step, directly up to the Concrete Pour Collar during the bulk pour. This gives a much cleaner look, but is much more difficult if the concrete covers a large area. Make the following alterations to the concrete installation described above:

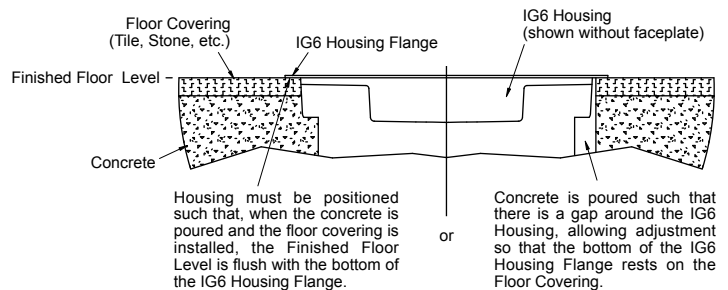
1. Install the IG6 Housing so that the Pour Collar is flush with the intended Finished Concrete Level. Note: The IG6 Housing should never be positioned such that it is at a low point where water will collect around it. If possible, mount the housing slightly higher and 'crown' the concrete around it to facilitate better water run off.
2. It is recommended that the Optional Mount Stand be used because it allows stable and more accurate positioning of the housing. If your fixtures were ordered without the Mount Stand and you wish to use it, contact Vision3 lighting to order.

#### Flanged Housing Installation Notes:

When installing the flanged IG6 housing (for use with the flanged faceplate option), the housing must be installed so that the bottom of the IG6 Housing Flange is resting on top of the Finished Floor Level. If the housing is installed too high, the faceplate will have a gap underneath it. If the housing is installed too low, the faceplate may not seal properly, causing a leak. Two suggestions for properly installing the flanged IG6 housing are:

1. After determining where your desired Finished Floor Level is, mount the housing (using the optional mount stand) so that the bottom of the IG6 Housing Flange is at this level. Pour your concrete to the exact proper level (allowing for thickness of Floor Covering, if any), and then install floor covering up to the bottom of the IG6 Housing Flange. This requires that you know the desired Finished Floor Level, and are able to control your concrete and flooring installation accurately.
2. When pouring the concrete, leave a gap around the IG6 Housing (similar to a core drill application) so that the housing can be adjusted to sit at the Finished Floor Level after the Floor Covering is installed. This requires some sort of appropriately sized tube (not supplied) be used to create a gap around the housing, and that flexible conduit be used to allow for adjustment.

#### Flanged Housing Installations



#### Mount Stand & Grout Mask Installation:

1. Remove the Mount Stand Clamp Screws (3) and Mount Stand Clamp Washers (3).
2. Drop the IG6 Housing into the plate on the Mount Stand.
3. Re-install the Mount Stand Clamp Screws (3) and Mount Stand Clamp Washers (3). Make sure that the Mount Stand Clamp Washers (3) are hooked in to the groove on the outside of the housing.
4. Tighten the Mount Stand Clamp Screws (3) until the housing is locked in place.

#### Mount Stand Adjustment:

1. Make sure that either the Mount Stand legs are solidly mounted to the ground, or the frame is solidly tied in to the rebar grid.
2. Loosen the Grout Mask Locking Nuts (if applicable) and the Mount Stand Locking Nuts.
4. If using the Grout Mask, loosen or tighten the Grout Mask Adjusting Nuts to adjust the position of the Grout Mask. Adjusting all of the nuts the same amount raises or lowers the Grout Mask. Adjusting them independently allows the Grout Mask to be leveled. Use the following procedure to properly align the Grout Mask:
  - a. Adjust the Grout Mask Adjusting Nuts so that the Grout Mask is approximately level and at the height required.
  - b. Using a bubble level, adjust the Grout Mask Adjusting Nuts so that the top surface of the Grout Mask is level.
  - c. Adjust all three Grout Mask Adjusting Nuts the same amount to raise or lower the Grout Mask to the appropriate height.
  - d. Repeat steps b & c until the Grout Mask is in the desired position and level.
  - e. Tighten the Grout Mask Locking Screws to secure the position of the Grout Mask. Make sure the Grout Mask is centered around the IG6 Housing.
5. Loosen or tighten the Mount Stand Adjusting Nuts (3) to adjust the position of the IG6 Housing within the Mount Stand. Adjusting all of the nuts the same amount raises or lowers the housing evenly. Adjusting them independently allows the housing to be leveled. Use the following procedure to properly align the IG6 Housing:
  - a. Adjust the Mount Stand Adjusting Nuts so that the IG6 Housing is approximately level and at the height required. It should be at least flush with the top of the Grout Mask, or slightly above.
  - b. Using a bubble level, adjust the Mount Stand Adjusting Nuts so that the top surface of the IG6 Housing is Level.
  - c. Adjust all three Mount Stand Adjusting Nuts the same amount to raise or lower the IG6 Housing to the appropriate height.
  - d. Repeat steps b & c until the IG6 Housing is in the desired position and level.
  - e. Tighten the Mount Stand Locking Screws to secure the position of the IG6 Housing. Make sure that the IG6 Housing is centered inside of the Grout



## Installation Instructions

### INSTRUCTIONS PERTAINING TO A RISK OF FIRE, OR INJURY TO PERSONS.

### IMPORTANT SAFETY INSTRUCTIONS. SAVE THESE INSTRUCTIONS.

(Failure to follow the warnings and instructions on this sheet could result in fire, injury, failure of product, and/or voiding of warranty.)

Mask.

- Double check the positions of the IG6 Housing and Grout Mask (if applicable). If not in the desired position, repeat steps 4 and 5.

#### Wiring to IG6 Housing:

- Remove the dust cover.
- If not already done, remove the package with the wiring, Pass-thru, and Cover components from the Housing.
- Thoroughly clean any dirt, debris, or moisture out of the Wiring Compartment.
- Run the appropriately sized 3 conductor power cable through the Conduit to the Wiring Compartment. Leave enough of the power cable so that it just extends past the top opening of the IG6 Housing by 2". Note: ensure that the power cable is properly sized for the load and adheres to any standards and/or regulations.
- Strip the ends of the power cable.
- The Water Tight Pass-thru should come from the factory loosely attached to the Wiring Compartment Cover. If it is not, mount it using the supplied nuts. Do not fully tighten at this time. Note: The gasket on the Water Tight Pass-thru should be lightly greased from the factory. If it is not, lightly coat with Krytox lubricate. This allows for easier dis-assembly, if ever required.
- Attach the three Water Tight Pass-thru leads to the power cable using the supplied Silicone Filled Wire Nuts. Connect the power cable's ground wire (green or copper) to the fixtures green lead. Connect the power cables black and white wires to the same colored leads on the fixture. Note: Do not pull on the Pass-thru leads!! Excessive stress could damage them, causing the fixture to short or leak. The supplied Silicone Filled Wire Nuts must be used to prevent water intrusion. Failure to do so will void warranty.
- Fold the power cable and fixture leads up as you push them in to the Wiring Compartment. Try to coil the wiring around the bottom of the Wiring Compartment as you fold. Be very careful to not excessively stress the fixture leads where they enter the Water Tight Pass-thru. Note: It is a good idea to zip-tie the power cable and fixture leads together for strain relief and to keep the wiring from pulling out of the wire nuts.
- Make sure the gasket on the bottom of the Wiring Compartment Cover is free of dirt, debris, nicks, or cuts. If the gasket is damaged, contact Vision3 lighting for a replacement. Note: The gasket on the Wiring Compartment Cover should be lightly greased from the factory. If it is not, lightly coat with Krytox lubricate. This allows for easier dis-assembly, if ever required.
- Clean the gasket sealing area around the Wiring Compartment and make sure it is completely clean and free of dirt, debris, or moisture.
- Separate the Water Tight Pass-thru from the Wiring Compartment Cover.
- Slide the Wiring Compartment Cover down the Pass-thru leads, line up with the studs at the bottom of the housing, and place over the Wiring Compartment opening. Push onto studs, being careful to not pinch any wires or damage the gasket.
- Install the supplied nuts (4) on to each of the studs.
- Tighten the Wiring Compartment Cover nuts (4) by turning clockwise with a 3/8" socket and torque wrench with 12" extension. Torque the screws in 5 in-lb increments, in a criss-cross fashion, to 25 in-lb. Note: When tightened properly, the gasket should bulge out approximately 1/16", evenly around the Wiring Compartment Cover.
- Feed the Water Tight Pass-thru leads thru the hole in the Wiring Compartment Cover, line up with the studs in the cover, and push in to place on studs, being careful to not pinch any wires or damage the gasket.
- Install the supplied nuts (2) on to each of the studs.
- Tighten the Water Tight Pass-thru nuts (2) by turning clockwise with a 3/8" socket and torque wrench with 12" extension. Torque the screws in 5 in-lb increments, in a criss-cross fashion, to 25 in-lb.
- If you don't plan on installing the internal modules and faceplate at this time, re-install the dust cover to keep dirt and debris out of the housing.

#### Lamp Module Installation:

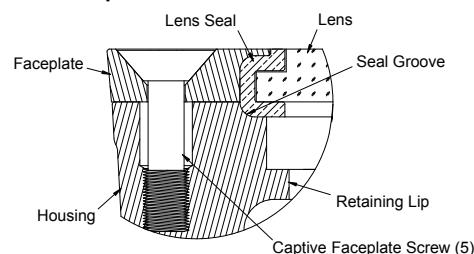
- Clean all moisture, dirt, and debris out of IG6 Housing.
- Inspect the Lamp Module for any damage to the brackets, wiring, or Lamp Module Connector. Make sure the brackets allow for the proper range of motion.
- Loosen the Lamp Module Locking Screws (2) on the Lamp Module using a 3/32" hex tool until the gap between the Locking Clamp and the Lamp Module top plate is approximately 1/4" to 3/8". Make sure you don't loosen the Lamp Module Locking Screws (2) completely out of the Locking Clamp.
- Connect the Lamp Module Connector to the Power Supply Connector. Note: Do not pull on the wiring or the Power Leads as this may damage them.
- If necessary, adjust the LED power setting as explained below in the Changing LED Output Level section.
- Install the Lamp Module by slipping the Locking Clamp under the Retaining Lip in the Housing, and dropping the module in such that the Lamp Module top plate rests on the Retaining Lip.
- Tighten both Lamp Module Locking Screws by turning clockwise with a 3/32" hex tool. Tighten until the Locking Clamp compresses against the Retaining Lip enough to prevent rotation of the Lamp Module.
- If using Lens Accessories, place them right on top of the LED optics, within the integral Accessory Holder. Note: Up to two lens accessories can be used.
- Aim as explained below in the Aiming section.

#### Faceplate Installation:

##### Standard Faceplate

- Clean the Seal Groove and exposed top surface of the Housing so that it is free from moisture, dirt, and debris.
- Inspect the Seal Groove and exposed top surface of the Housing for nicks, scratches, or dents in the material that may affect seating or sealing of the Lens Seal and Faceplate.
- Clean and inspect the Lens and Lens Seal. The Lens should be free of dirt, deposits, nicks, or cracks. The Lens Seal should be free of dirt, deposits, nicks or tears. If the Lens and/or Lens Seal can not be completely cleaned, or are damaged, contact Vision3 lighting for replacement parts.
- Install the Lens Seal by gently stretching around the Lens. See the 'Faceplate and Lens Orientation' sketch for proper orientation.

##### Faceplate and Lens Orientation



- Set the Lens with attached Lens Seal in to the Seal Groove in the Housing, as shown.
- Clean and inspect the Faceplate and Captive Faceplate Screws (6). The Captive Faceplate Screws (6) are shipped from the factory with an anti-seize compound on the threads. If the anti-seize has been accidentally wiped off, or has become contaminated with dirt, thoroughly clean the threads and coat with an anti-seize compound. Failure to do this may cause the screws to seize in the housing and prevent their removal without damaging the fixture.
- Set the Faceplate over the top of the Housing such that the Lens/Lens Seal fits into the groove on the bottom of the Faceplate. Orient so the Captive Faceplate Screws (6) drop in to the mating clearance holes in the Housing.
- Tighten the Captive Faceplate Screws (6) by turning clockwise with a 1/8" hex tool. The Captive Faceplate Screws (6) should be tightened by hand only! Using a cordless drill will cause the Faceplate to be tightened unevenly

## Installation Instructions

### INSTRUCTIONS PERTAINING TO A RISK OF FIRE, OR INJURY TO PERSONS.

#### IMPORTANT SAFETY INSTRUCTIONS. SAVE THESE INSTRUCTIONS.

(Failure to follow the warnings and instructions on this sheet could result in fire, injury, failure of product, and/or voiding of warranty.)

or possibly strip the threads in the Housing. Torque the screws incrementally, and evenly, to 20 in-lbs, in a criss-cross pattern. Note: It is best to use a torque wrench, but you can also use the following procedure to approximate the proper torque: as you tighten you will feel the Faceplate compress the Lens Seal until the Faceplate seats against the top of the Housing. At this point, there will be a dramatic increase in the amount of effort required to tighten each screw. Do not turn the screws more than 1/8 to 1/4 turn past this point. Do not over tighten as you may strip the threads out of the Housing. Once the Lens Seal has been compressed such that the Faceplate touches the top of the Housing, the fixture is sealed. Tightening the screws further offers no advantage.

#### Accessory Faceplate

(Rock Guard, Half Dome, Glare Shield, Marker Light, etc.)

1. Clean the Seal Groove and exposed top surface of the Housing so that it is free from moisture, dirt, and debris.
2. Inspect the Seal Groove and exposed top surface of the Housing for nicks, scratches, or dents in the material that may affect seating or sealing of the Lens Seal and Faceplate.
3. Clean and inspect the Lens and Lens Seal. The Lens should be free of dirt, deposits, nicks, or cracks. The Lens Seal should be free of dirt, deposits, nicks or tears. If the Lens and/or Lens Seal can not be completely cleaned, or are damaged, contact Vision3 lighting for replacement parts.
4. Install the Lens Seal by gently stretching around the Lens. See the 'Faceplate and Lens Orientation' sketch for proper orientation.
5. Set the Lens with attached Lens Seal in to the Seal Groove in the Housing, as shown.
6. Clean and inspect the Accy Faceplate, Faceplate Clamp, and Captive Faceplate Screws (6). The Captive Faceplate Screws (6) are shipped from the factory with an anti-seize compound on the threads. If the anti-seize has been accidentally wiped off, or has become contaminated with dirt, thoroughly clean the threads and coat with an anti-seize compound. Failure to do this may cause the screws to seize in the housing and prevent their removal without damaging the fixture.
7. Set the Accy Faceplate over the top of the Housing such that the Lens/Lens Seal fits into the groove on the bottom of the Accy Faceplate. Make sure that the faceplate is rotated to the desired orientation.
8. Place the Faceplate Clamp over the Accy Faceplate and orient so that the Captive Faceplate Screws (6) drop in to the mating clearance holes in the Housing.
9. Tighten the Captive Faceplate Screws (6) by turning clockwise with a 1/8" hex tool. The Captive Faceplate Screws (6) should be tightened by hand only! Using a cordless drill will cause the Faceplate to be tightened unevenly or possibly strip the threads in the Housing. Torque the screws incremental-

ly, and evenly, to 20 in-lbs, in a criss-cross pattern. Note: It is best to use a torque wrench, but you can also use the following procedure to approximate the proper torque: as you tighten you will feel the Faceplate compress the Lens Seal until the Faceplate seats against the top of the Housing. At this point, there will be a dramatic increase in the amount of effort required to tighten each screw. Do not turn the screws more than 1/8 to 1/4 turn past this point. Do not over tighten as you may strip the threads out of the Housing. Once the Lens Seal has been compressed such that the Faceplate Clamp touches the top of the Housing, the fixture is sealed. Tightening the screws further offers no advantage.

#### Changing LED Output Level:

LED module comes with a push button that allows for selection of 4 different outputs. Output will be set at factory to highest setting, unless otherwise specified when ordered. To change the LED output level (if adjusting while doing initial install, skip to step 7):

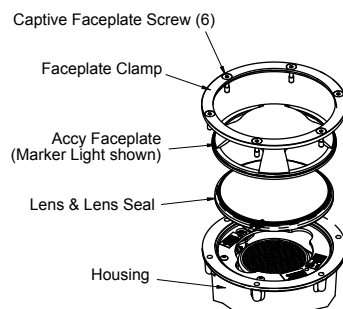
1. Remove power from the fixture and let cool before touching.
2. Remove any moisture, dirt, or debris from around the IG6 Fixture and on the Faceplate. To remove dirt or debris that has been compacted in to the heads of the Captive Faceplate Screws (5), use something such as a small screw driver or stiff piece of wire to scrape and loosen the debris. Compressed 'air in a can' (such as used for cleaning computers) is very handy for blowing debris off of the Faceplate, out of the screw heads, and out of the Housing.
3. Loosen the Captive Faceplate Screws (5) by turning counter-clockwise with a 1/8" hex wrench. Note: These screws are captive and should not be removed from the Faceplate. If each screw is loosened a turn or two at a time, in a criss-cross pattern, this will help prevent the screw from threading in to the Faceplate. If the screws have become seized and cannot be loosened, use a hand-held impact driver to help break them loose; otherwise, you risk stripping out the heads.
4. Remove the Faceplate and set aside.
5. Remove the Lens and Lens Seal and set aside.
6. Loosen the Lamp Module Locking Screws (2) on the Lamp Module using a 3/32" hex tool and lift out the Lamp Module far enough to access the Output Button.
7. Turn power on to the fixture. Caution! The fixture will become hot very quickly. While the power is on, avoid touching the lamp, lens accessories, or wiring as doing so may cause injury.
8. With fixture powered up, hold down the Output Button for about 4 seconds, until the LED blinks once, and release the button. The LED is now in adjustment mode.
9. Immediately start pushing the Output Button to cycle thru the different power modes (one button push will advance one power mode). Note: Don't wait too long between button pushes. The LED will revert back to normal mode if the Output Button is not pushed for about 4 seconds when LED is in adjustment mode.
10. When the desired power mode is found, stop pushing the Output Button. When the Output Button is not pushed for about 4 seconds while in adjustment mode, the LED will blink twice, indicating that the LED is back in normal mode.
11. To continue adjusting the output mode, go back to step 8 and repeat the process.
12. Install the Lamp Module as described above in Lamp Module Installation.
13. Install the Faceplate as described above in Faceplate Installation.

#### Aiming:

Note: If aiming while doing initial install, skip to step 7.

1. Turn off the power to the fixture and let cool before touching.
2. Remove any moisture, dirt, or debris from around the IG6 Fixture and on the Faceplate. To remove dirt or debris that has been compacted in to the heads of the Captive Faceplate Screws (6), use something such as a small screw driver or stiff piece of wire to scrape and loosen the debris. Compressed 'air

#### Accy Faceplate Installation



## Installation Instructions

### INSTRUCTIONS PERTAINING TO A RISK OF FIRE, OR INJURY TO PERSONS.

### IMPORTANT SAFETY INSTRUCTIONS. SAVE THESE INSTRUCTIONS.

(Failure to follow the warnings and instructions on this sheet could result in fire, injury, failure of product, and/or voiding of warranty.)

in a can' (such as used for cleaning computers) is very handy for blowing debris off of the Faceplate, out of the screw heads, and out of the Housing.

3. Loosen the Captive Faceplate Screws (6) by turning counter-clockwise with a 1/8" hex wrench. Note: These screws are captive and should not be removed from the Faceplate. If each screw is loosened a turn or two at a time, in a criss-cross pattern, this will help prevent the screw from threading in to the Faceplate. If the screws have become seized and cannot be loosened, use a hand-held impact driver to help break them loose; otherwise, you risk stripping out the heads.
4. Remove the Faceplate and set aside. Caution! The Faceplate may still be hot! Be sure the Faceplate has cooled before touching.
5. Remove the Lens and Lens Seal and set aside. Caution! Lens may still be hot! Be sure the Lens has cooled before touching.
6. Clean any dirt or debris off of the Lamp Module Top Plate. Use compressed 'air in a can' to blow off any particles.
7. Turn power on to the fixture. Caution! The fixture will become hot very quickly. While the power is on, avoid touching the lamp, lens accessories, or Top Plate, as doing so may cause injury.
8. Unlock the Top Plate to allow rotational adjustment by loosening the Lamp Module Locking Screws (2) with a 3/32" hex tool. Note: Loosen just enough so that the Top Plate can be freely rotated. Loosening too much can cause the Locking Plate to detach.
9. Stick a 3/32" Hex Tool in to the Aiming Port slot. Move it around slightly until you can feel it drop in and engage the locking mechanism.
10. Unlock the aiming brackets for vertical adjustment by turning the 3/32" hex tool counter-clockwise until you can freely swing the LED vertically by moving the hex tool.
11. Use the hex tool to swing the LED for vertical adjustment and rotate the Top Plate for rotational adjustment until the LED is aimed in the desired direction. Caution! These parts could be hot from the lamp. Use heat resistant gloves if necessary.
12. Rotate the 3/32" hex tool clockwise to lock the aiming brackets in the desired vertical position. It does not take much to lock the aiming brackets, so be careful to not over tighten.
13. Remove the 3/32" hex tool from the Aiming Port.
14. Lock the Top Plate in position by tightening the Lamp Module Locking Screws (2) with the 3/32" hex tool.
15. Install the Lamp Module as described above in Lamp Module Installation.
16. Install the Faceplate as described above in Faceplate Installation.

